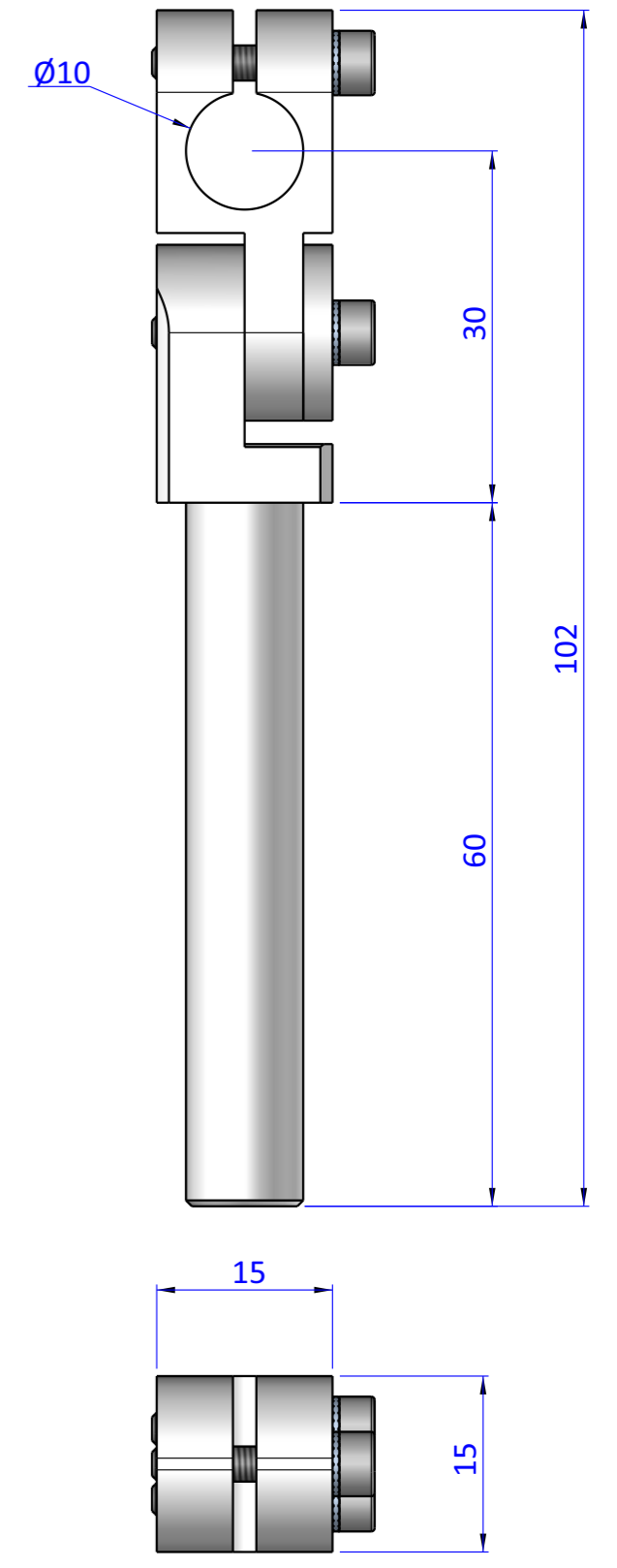
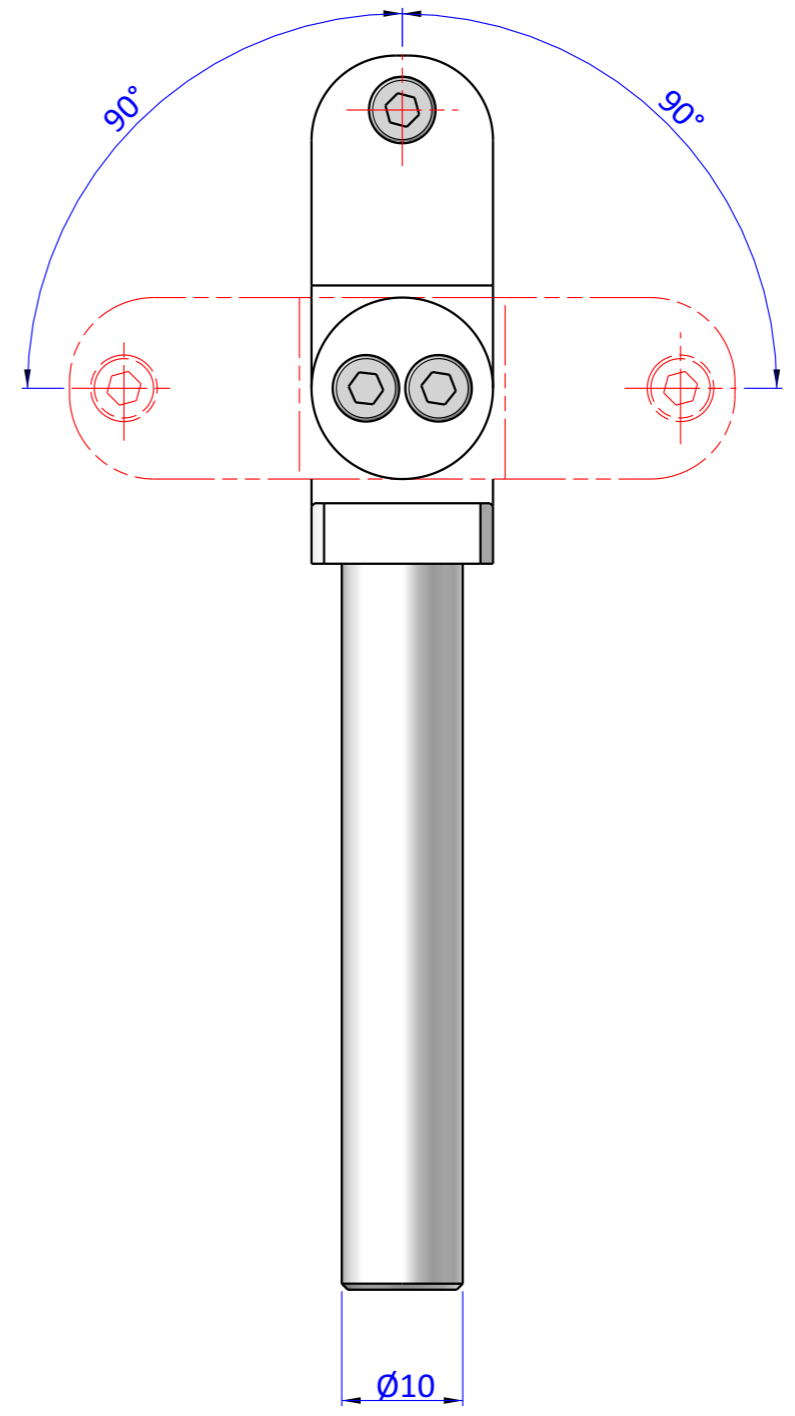
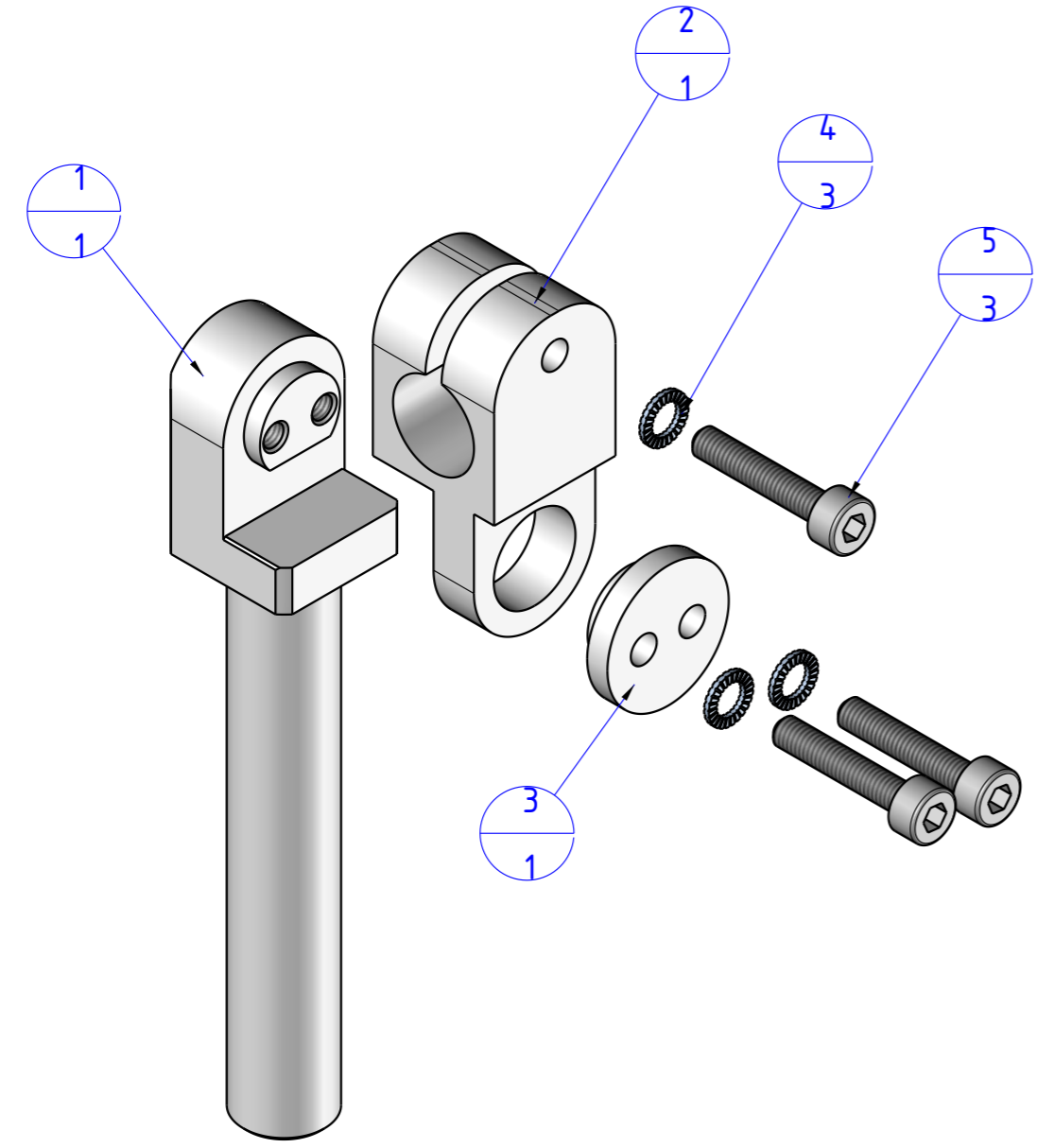


THE PROPERTY OF THE DRAWING IS ESTABLISHED BY LAW. IT IS FORBIDDEN TO PRODUCE OR SHOW IT TO THIRD PART. WITHOUT A WRITTEN AGREEMENT.

Item	Name	Q.ty
1	GVR.10.1.60	1
2	GVR.10.2	1
3	GVR.10.3	1
4	R.3.SCH	3
5	V.TCE3x16	3



Format A3
UNI 936-76

FPS FPSERVICES AUTOMATION			DESIGNED FROM FPS Automation	REVIEW A
GENERAL TOLERANCE UNI - ISO 2768 CLASSE f	DESCRIPTION CA.GVR.1010.60		DATE 09/04/2020	WEIGHT 0,031kg
			CODE CA.GVR.1010.60	